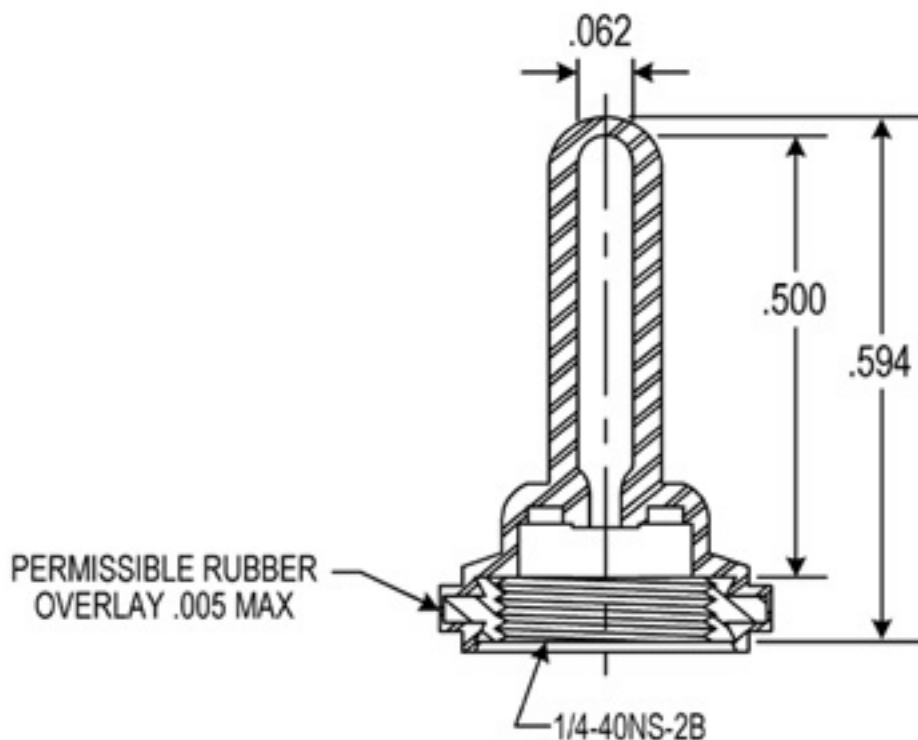
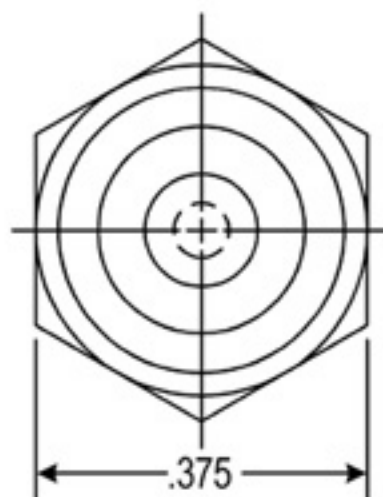


**SPECIFICATIONS**

**Material:** HEXSEALS: Silicone rubber conforms to ZZ-R-765 Class III, GR 50 (unless otherwise specified)  
**Mounting Nut:** HEXSEALS: Brass, nickel-plated  
**Temperature Range:** HEXSEALS: -94°F to +400°F  
**Pressure Range:** Exceeds 15 psi internal and 1500 psi external. (N5032B: 10 psi)  
**Operational Life:** 50,000 actuations (minimum).  
**Shelf Life:** Excess of 25 years.  
**Resistant to:** Salt spray, sunlight, ozone, weather, fungus, and most acids and lubricating oils  
**Military Approvals:** Most HEXSEALS are QPL-approved to MIL-B-5423.  
**Agency Recognition:** E-SEALS and HEXSEALS are UL-listed to UL Std. 50 types 1-13, and meet CSA standards.  
**Installation:** If a reducing adaptor is required – see page 14 of HEXSEAL catalog HEX200 for part numbers and drawing.



B	CAD COMPUTER GENERATED		9-19-02
A	MODIFIED		R.C. 11-16-74
REV.	DESCRIPTION		DATE
<small>MAXIMUM AND MINIMUM MEASUREMENTS ARE STATED DIRECTLY ON EACH DIMENSION.</small> MAT'L: SILICONE RUBBER PER ZZ-R-765 CLIII GR50 FINISH: GRAY		BOOT, TOGGLE, TOTALLY ENCLOSING (N-5030S) APM-HEXSEAL CORPORATION	ENG. DWN. S. ANDREWS 12-9-59 CHKD. SCALE 4:1 DWG. NO. (N-5030S) HEXSEAL®

THIS DRAWING COVERS PROPRIETARY ITEM AND IS THE PROPERTY OF THE APM-HEXSEAL CORPORATION. THIS DRAWING IS NOT TO BE COPIED OR USED WITHOUT THE WRITTEN APPROVAL OF AN OFFICER OF THE APM-HEXSEAL CORPORATION.